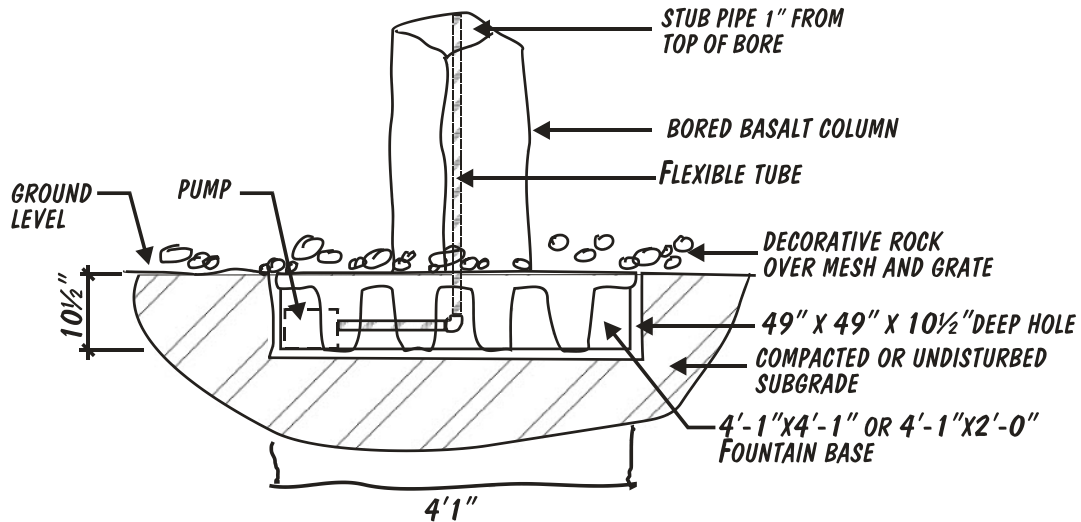


HOW TO BUILD A PONDLESS WATER FEATURE



1. Excavate for your water-feature based on the size of your fountain base following the basic guidelines above. Be sure the bottom where the fountain base will sit is level. If need be add about 1" of sand to the bottom to help with leveling. Carefully set the base.
2. Set up the pump, valve, and hose then place the grate on the base. Plumb the hose into the rock.
3. Place the mesh screen over the grate, set your column rock upright, and shim as necessary with smaller rock.
4. Once your feature rock is stable, fill up the base with water, plug in the pump, and finish off with decorative rock to suit your landscape.



712 N. HILL BLVD
BURLINGTON, WA98233
PHONE 360.757.8090
FAX 360.757.8061

INFO@CASCADESTONESUPPLY.COM

Notes